

INDO Products – Facilities Specifications

FCA5



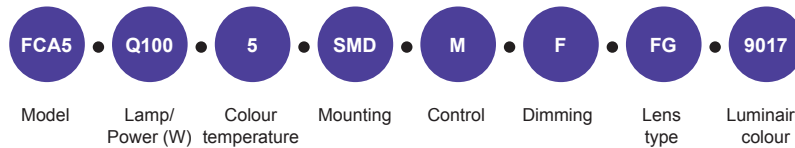
Features

- Die cast aluminum housing with powder coated finish for corrosion resistance
- Anodized aluminum reflector and tempered glass lens
- Gas tight silicone rubber sealing

Applications

- Parks
- Shopping centres
- Outlets
- Plazas
- City halls
- Historic areas

INDO code explained



Stocked product code

FCA5 • Q100 • 5 • SMD • M • F • FG • 9017

This product code is held in stock and has, on average, a shorter lead time.

Product codes – please choose your specifications

Model	Product code	Lamp / Power (W)	Product code	Colour temperature	Product code	Mounting	Product code
Facilities Bulk Head 5	FCA5	QUDO:40W ø38mm	QL4C	3000K	3	Surface Mount: Down Lighting	SMD
		QUDO:55W	Q055	4000K	4		
		QUDO:70W	Q070	5000K	5		
		QUDO:80W	Q080	6500K	6		
		QUDO:100W	Q100				

Control	Product code	Dimming	Product code	Lens type	Product code	Luminaire colour (RAL)	Product code
Mains	M	Fixed	F	Flat Glass	FG	RAL9017 Traffic Black	9017
NEMA	N	Analogue (0-10V)	A				

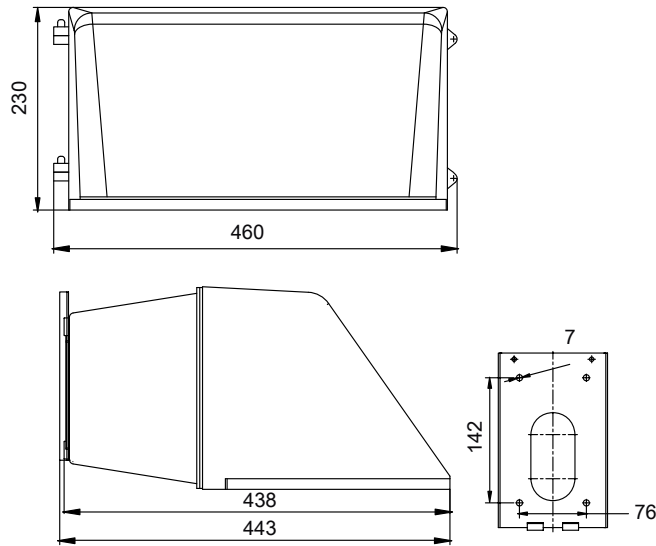
Product specifications

Voltage (V)	Ambient Temperature (°C)	IP Class	Package size (LxWxH) mm	Net weight (Kg)
120-277	-20 °C / +40 °C	IP54	520 x 280 x 495	8.5

Facilities

Dimensions

Unit: mm



Photometry

