



RETROFIT

INDO T5UE



The management system governing the manufacture of this product is ISO 9001:2015 certified

Call: +44 (0)20 3051 1687

Email: info@indolighting.com

 @INDOLighting

 [indo-lighting-ltd](https://www.linkedin.com/company/indo-lighting-ltd)

INDO T5UE

Features

- Powered by Direct Drive®
- Advanced thermal PCB design
- Huge energy and maintenance savings
- Designed to work off existing electronics
- CRI ≥ 70
- Wide beam angle of 120 degrees
- Built-in photosensor
- Payback typically under 2 years

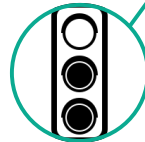
Benefits

- integrated light sensor reduces 4,000+ unnecessary burn hours per unit per year
- Payback in 0.91 years
- Exceptional lifetime and reliability
- Install in under 2 minutes with no hassle or re-wiring
- Purpose designed lamps for sign and bollard applications

Traffic Signs



Bollards



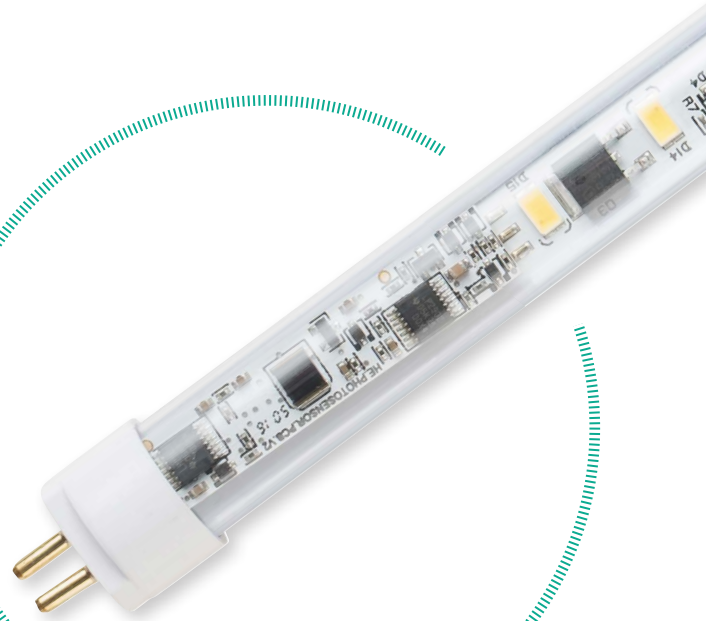
Regulatory Back-lit Traffic Light Box Signs



E2 illumination



UE3 Uniformity



The INDO T5UE is an automatic photosensing, ultra efficient LED retrofit lamp for replacement of the equivalent fluorescent lamps. Fitting into all existing lampholders, this plug and play lamp features INDO's Direct Drive® technology as well as an advanced thermal design. The product can be connected to either mains or a magnetic ballast.

With INDO's patented integrated photoswitch and a wattage of 3.5W, this is a high efficiency version of the T5 that has proved to be a very popular choice with customers. The lamps will deliver over 30 years of reliable performance before

replacement is necessary and up to 85% energy savings.

When used on road signs, the T5UE is typically used for signs up to 600mm face diameter, providing illuminance to class E2 with uniformity UE3.

Install as part of a lamp replacement schedule to benefit from paybacks typically less than two years. Two length options are available: 225mm and 300mm.

Technical Specifications

PRODUCT ORDERING OPTIONS

Model	T5UE
Power	3.5W
Correlated Colour Temperature (CCT)	5000K
Mounting	300mm (signs & bollards) 225mm (traffic light box)
Control Options	Integrated Photoswitch, Mains
Dimming	Fixed
Lens Type	Clear Lens, Striped (traffic light)
Luminaire Colour	Not applicable

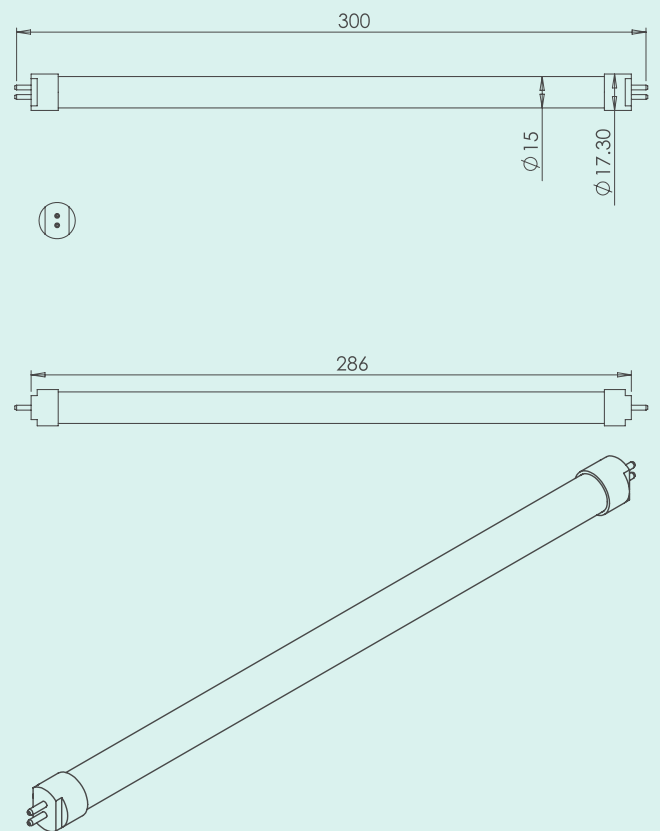
KEY FEATURES

Direct Drive®	Yes
Replacement for	8W fluorescent T5 6W fluorescent T5
Net Weight	0.07kg
Colour Rendering Index (CRI)	> 70
Fully CMS Addressable	No
Integrated Photocell	Optional for 300mm N/A for 225mm
Reliability	0.32 failures per million operating hours
Nominal Flux	400lm
Lamp Efficacy	114 lm/W
Lumen Maintenance (L80B50)	140,000 hours

PHYSICAL AND ELECTRICAL PROPERTIES

Materials	Polycarbonate
IP Rating	IP30
Number of LEDs	11
Ambient Operating Temperature Range	-40°C (min) to +40°C (max)
Input Voltage Range	195–265V
Operating Frequency	100Hz at 50Hz supply
Power Factor	>0.99
Risk Group	RG1
UMSUG Code	40 0004 0013 100 40 0004 0011 100 (traffic light)

Drawings and Dimensions



All dimensions in mm



INDO T5UE
300mm is the standard for T5 signs and bollards while the 225mm option is a highly cost-effective option for regulatory traffic light signs