

# INDO

fresh thinking  
trusted technology



# CLASSIC

## INDO CHANCERY



*The management system governing the manufacture of this product is ISO 9001:2015 certified*

**Call:** +44 (0)20 3051 1687

**Email:** [info@indolighting.com](mailto:info@indolighting.com)

 @INDOLighting

 [indo-lighting-ltd](https://www.linkedin.com/company/indo-lighting-ltd)

 [www.indolighting.com](http://www.indolighting.com)

# INDO CHANCERY

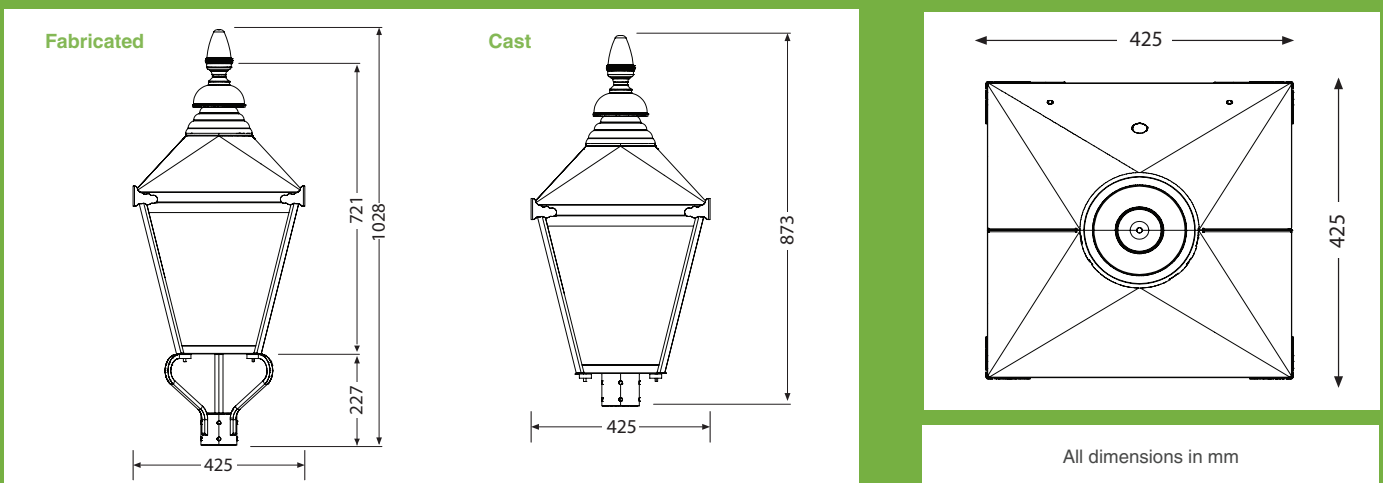


## Features

- Direct Drive® technology
- Pre-programmable dimming
- DALI enabled
- Constant Light Output
- Integrated longlife photocell
- Excellent thermal management
- Fully sealed PC glazing
- LED efficacy up to 200 lm/W
- CMS compatible

## Benefits

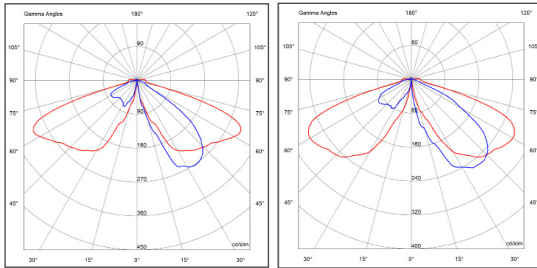
- Significant energy reductions
- Market-leading maintenance savings
- Rapid payback
- Quick and simple to install
- Quality design & engineering
- Beautiful heritage aesthetics



# INDO CHANCERY

## Photometry

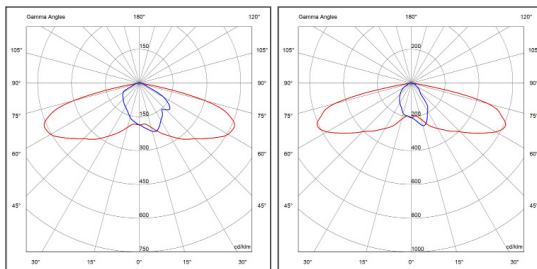
### Example optics for town & city centres



CHROMA DR1

CHROMA DR5

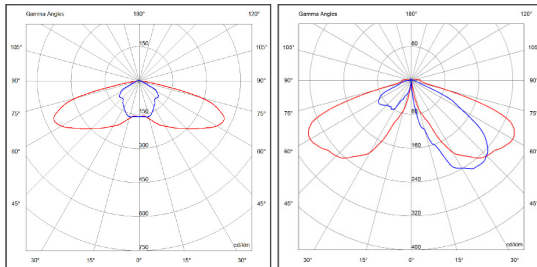
### Example optics for residential & footpaths



OPUS2 SW

OPUS2 SWA

### Example optics for parks & public space



OPUS2 TSW

CHROMA DR5

## Product Overview

INDO has introduced a decorative lantern, the CHANCERY, to its growing range of Direct Drive® LED luminaires.

The clean, traditional styling and quality features of CHANCERY make it the perfect LED replacement for a wide range of heritage schemes. So, with a choice of ambience-setting colour temperatures (from as warm as 2200K) and a diverse range of high-performance optics available, customers can replace old fixtures with total confidence.

All the usual boxes are ticked; the unit is fully sealed within polycarbonate glazing to ensure IP65 and IK08 ratings, fabricated using aluminium with a powder coated finish and easy to install. Future improvements in LED technology and functionality will be very simple to accommodate without changing the whole unit.

The CHANCERY comes pre-wired with 7m of 1.5mm, 3-core cable as standard for ease of installation.

Plus there are many other benefits from the Direct Drive® technology for customers, contractors and other users

### Direct Drive® delivers:

- Lower whole-life costs
- Lower whole-life maintenance risk
- Market-leading reliability
- Better value customer procurement



# CHANCERY Technical Specifications

## PRODUCT ORDERING OPTIONS

<b>Model</b>	Fabricated Frog Cast Frog
<b>Power (4000K)</b>	5W to 60W
<b>Lumen Output</b>	500lm to 10,000lm
<b>Correlated Colour Temperature (CCT)</b>	From 2200K to 5000K
<b>External Photocell</b>	20mm pre-drilled NEMA 3, 5 or 7-pin
<b>Internal Photocell</b>	Not fitted or activated, 20/20, 35/18, 55/28
<b>Pre-set Dimming</b>	Fixed pre-set 50% [00:00-05:00] pre-set 75% [00:00-05:00] pre-set, 2-step program
<b>Light Engine</b>	OPUS2, CHROMA
<b>Optics</b>	SW, TSW, Opp TSW DR1-DR5
<b>Luminaire Colour</b>	RAL9005 Jet Black
<b>Mounting</b>	60, 76 or 89 mm Post Top

For more information on selecting the correct lantern specification to suit your application and design criteria, please contact your local account manager direct or call the main office (option1 sales)

## KEY FEATURES

<b>Direct Drive®</b>	Yes
<b>Lighting Classes</b>	P1-P6 M2-M5, C3-C5
<b>Replacement For</b>	All PT heritage fittings
<b>Dimming Range (DALI)</b>	from 10-100% output
<b>Constant Light Output</b>	Yes
<b>Reliability</b>	0.58 failures per million operating hrs
<b>Materials</b>	Aluminium frame Polycarbonate bowl

## PHYSICAL PROPERTIES

<b>IK Rating</b>	IK08 minimum
<b>IP Rating (Optic + Gear)</b>	IP66
<b>Windage</b>	0.27m <sup>2</sup>
<b>Dimensions (LxWxD)</b>	1050 x 430 x 430
<b>Net Weight</b>	Min 7.3kg, Max 9.3kg
<b>Operating Temperature Range</b>	-40°C to +40°C

## LEDs

<b>Risk Group</b>	RG1 (low risk)
<b>LED Efficacy (4000K)</b>	Up to 200 lm/W
<b>Lumen Maintenance at 100,000 hours</b>	Up to L93B50
<b>Product Rated Life L80B50</b>	Up to 250,000 hrs
<b>Colour Rendering Index (CRI)</b>	>70
<b>Direct Drive® Current</b>	From 3.5mA to 221mA
<b>SP Ratio (4000K)</b>	From 1.4 to 1.7

Exact LED specifications vary depending on selected light engine and will be confirmed with product choices

## ELECTRICAL

<b>Input Voltage Range</b>	195-265 V @50/60Hz
<b>Power Factor</b>	> 0.95
<b>Soft Start</b>	Yes
<b>Extreme Soft Start</b>	Yes
<b>Automatic Disconnect</b>	No
<b>Fully CMS Addressable</b>	Yes
<b>Photocell compatibility</b>	Integrated, Mini or NEMA
<b>Surge Protection</b>	20kV DM, 20kV CM

A wide range of options are available to ensure customers can specify lanterns around their needs to gain cost-efficiencies.

## INSTALLATION

<b>Mounting Options</b>	Post-top 60, 76, 89, 101 mm
<b>Mounting Heights</b>	4m to 6m
<b>Integrated Photocell</b>	Yes
<b>Shields available</b>	None
<b>Future-proofing</b>	Onsite upgradable modules
<b>Pre-wired</b>	Yes, 7m x 1.5mm 3-core cable as standard

## UMSUG CODES

Easy look up table available [www.indolighting.com/umsug](http://www.indolighting.com/umsug)