

INDO

fresh thinking
trusted technology



CONTEMPORARY

INDO RADIUS



The management system governing the manufacture of this product is ISO 9001:2015 certified

Call: +44 (0)20 3051 1687

Email: info@indolighting.com

 @INDOLighting

 [indo-lighting-ltd](https://www.linkedin.com/company/indo-lighting-ltd)

 www.indolighting.com

INDO RADIUS



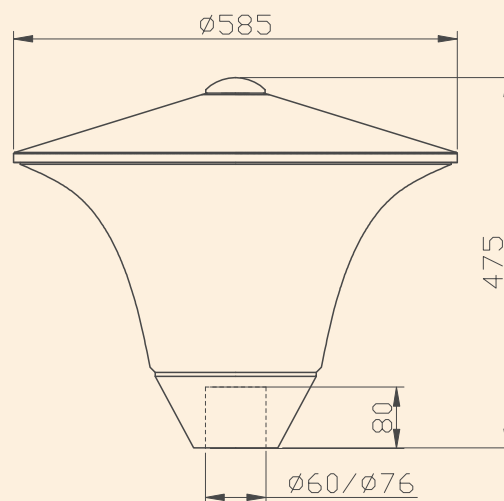
Features

- Direct Drive® technology
- Comfortable, diffuse light source
- Pre-set dimming or DALI
- Integrated photocell
- **LED efficacy 193 lm/W**
- CMS compatible
- Market-leading reliability
- Tool free access

Benefits

- Significant energy reductions
- Market-leading maintenance savings
- Rapid payback
- Simple, reliable installation
- Minimal column loading
- Low whole life cost and risk
- No driver or photocell maintenance
- 230,000 hour lifetime

Dimensions

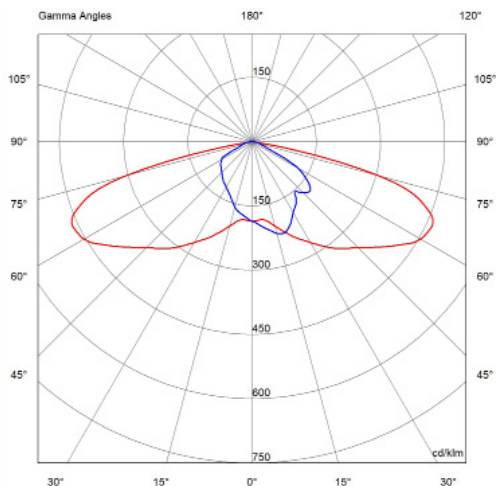


All dimensions in mm

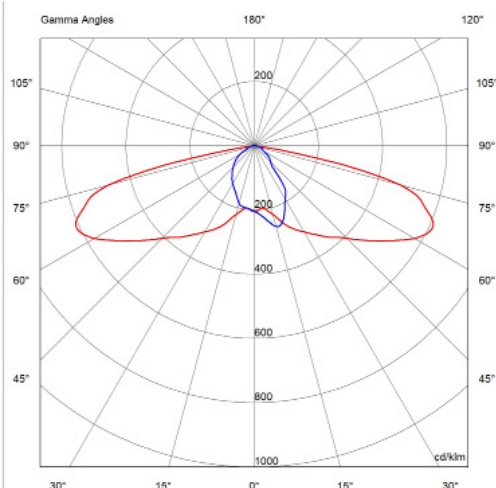
INDO RADIUS

Photometry

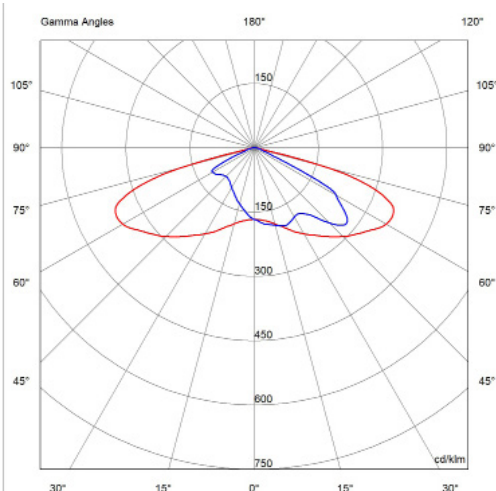
SW - Versatile, mixed residential optic



SWA - Narrow optic ideal for footpaths



SWB - Wider optic for Parks & Area



Product Overview

The INDO RADIUS is a high performance post-top, contemporary LED lantern perfect for delivering low level, diffuse lighting around a 360° distribution. Designed to hit low P class requirements, particularly suitable where a similar looking High Pressure Sodium lantern is already in place and needs updating to LED without disturbing the street scene or requiring explanation to residents.

The attractive yet robust design makes it great for a range of urban area lighting applications such as amenities, car parks, open spaces, parks and residential areas.

Featuring INDO's award-winning Direct Drive® technology, customers benefit from having no drivers to replace over time, saving hundreds of pounds in ongoing maintenance costs. High efficiency LED technology boasting means the RADIUS is an extremely low energy option enabling short payback periods and attractive return on investment figures.

The RADIUS comes pre-wired with 7m of 1.5mm, 3-core cable as standard for ease of installation.

Direct Drive® delivers:

- Lowest whole-life costs
- Lowest whole-life maintenance risk
- Market-leading reliability
- Best value procurement route



RADIUS Technical Specifications

PRODUCT ORDERING OPTIONS

| | |
|-------------------------------------|---|
| Models | RADIUS |
| Power (4000K) | 5W to 70W |
| Lumen Output | 500lm – 9,000lm |
| Correlated Colour Temperature (CCT) | 3000K, 4000K, 5000K |
| Control Options | 20mm pre-drilled (NEMA 3, 5, 7-pin) |
| Internal Photocell | 20/20, 35/18, 55/28 Not fitted or activated |
| Pre-set Dimming | Fixed Pre-set, 50% [00:00-05:00] Pre-set, 75% [00:00-05:00] Pre-set, multi-step options Other programs on request |
| Optics | SW, TSW |
| Luminaire Colour | Grey Jet Black |

For help selecting the correct lantern specification to suit your application and design criteria, please contact your local account manager direct or call the main office (Option 1, Sales)

KEY FEATURES

| | |
|-----------------------|--|
| Direct Drive® | Yes |
| Lighting Classes | P2–P7, S2–S7 |
| Glare Control | G1 |
| Replacement for | Up to 100W SON |
| Dimming Range (DALI) | 100% down to 50% output |
| Constant Light Output | Yes |
| Reliability | 0.58 failures per million operating hours |
| Materials | LM6 HPDC aluminium Stainless steel grub screws UV Stabilised Polycarbonate |

PHYSICAL PROPERTIES

| | |
|-----------------------------|----------------------------|
| IK Rating | IK08 |
| IP Rating (Optic) | IP66 |
| Windage | 0.2m ² |
| Dimensions (L x W x D) | 585 x 585 x 475mm |
| Net Weight | 6.5kg |
| Operating Temperature Range | -35°C (min) to +25°C (max) |

LEDs

| | |
|------------------------------------|----------------------|
| Risk Group | RG1 (low risk) |
| Light Engine | OPUS2 |
| LED Efficacy (4000K) | Up to 193 lm/W |
| Lumen Maintenance at 100,000 hours | L92B50 |
| Product Rated Life L80B50 | 230,000 hours |
| Colour Rendering Index (CRI) | >70Ra |
| Direct Drive® Current | From 3.5mA to 34.5mA |
| SP Ratio (4000K) | 1.4 |

ELECTRICAL

| | |
|-------------------------|----------------------------|
| Input Voltage Range | 195–265 VAC at 50/60Hz |
| Power Factor | > 0.95 |
| Soft Start | Yes |
| Extreme Soft Start | Yes |
| Automatic Disconnect | No |
| Fully CMS Addressable | Yes |
| Surge Protection | 20kV DM, 20kV CM |
| Photocell Compatibility | Fits all PEC, Mini or NEMA |

INSTALLATION

| | |
|----------------------|--|
| Mounting Options | Post top 60mm, 76mm |
| Mounting Heights | 4m to 6m typical |
| Integrated Photocell | Yes |
| Shields Available | No |
| Future-proofing | On-site upgradable modules |
| Pre-wiring | Yes, 7m x 1.5mm 3-core cable as standard |

UMSUG CODES

An easy to use charge codes look-up table is available at: www.indolighting.com/umsug